

19" ProTek Wall Mount Side integrated Single Section



CONTENTS		Pg.
1.	General Characteristics	1
2.	Range	3
3.	Technical Characteristics	5
4.	Dimensions	7
5.	Rear Cover	10
6.	Cable Manager	11
7.	Cantilever Tray	11
8.	Cooling Fan	12
9.	PDU	13

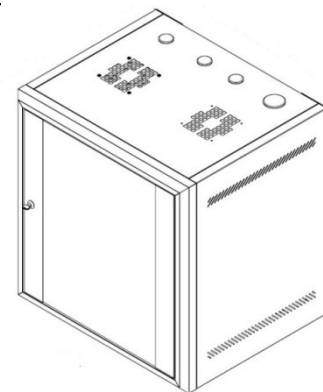
1. General Characteristics

- The 19" Wall Mount cabinets are intended for digital infrastructure.
- The Wall Mount cabinets made up of steel structure.
- The 19" Wall Mount cabinets comes in 2 range of colors, range 1- combination of RAL 7037 & 7035 range 2- fully RAL 9005(customized).
- The 19" Wall Mount cabinets can be equipped with rear cover for better sealing of the cabinets.
- Equipment and accessories for thermal and cable management such as: cantilever tray, cooling fan, PDU.

1.1 Presentation

The main parts of ProTek Wall Mount Side Integrated Single Section are:

- 1 Steel framework made up of 2 vertical and 2 horizontal sections.
- 1 Top Cover and 1 bottom cover with circular cutouts and rubber grommets for cable entry provision.
- 2 Side Panels with slots for ventilation.
- 4 Wall Mounting brackets, 2 on LHS and 2 on RHS.
- 4 Recess angles.



The 2 vertical sections and 2 horizontal sections forms a steel front framework.

The top and bottom cover comprises of round cutouts of one 50mm and three 38mm diameter with cable entry points edge protected with rubber grommets. The top cover also has cutout for fan fitments.

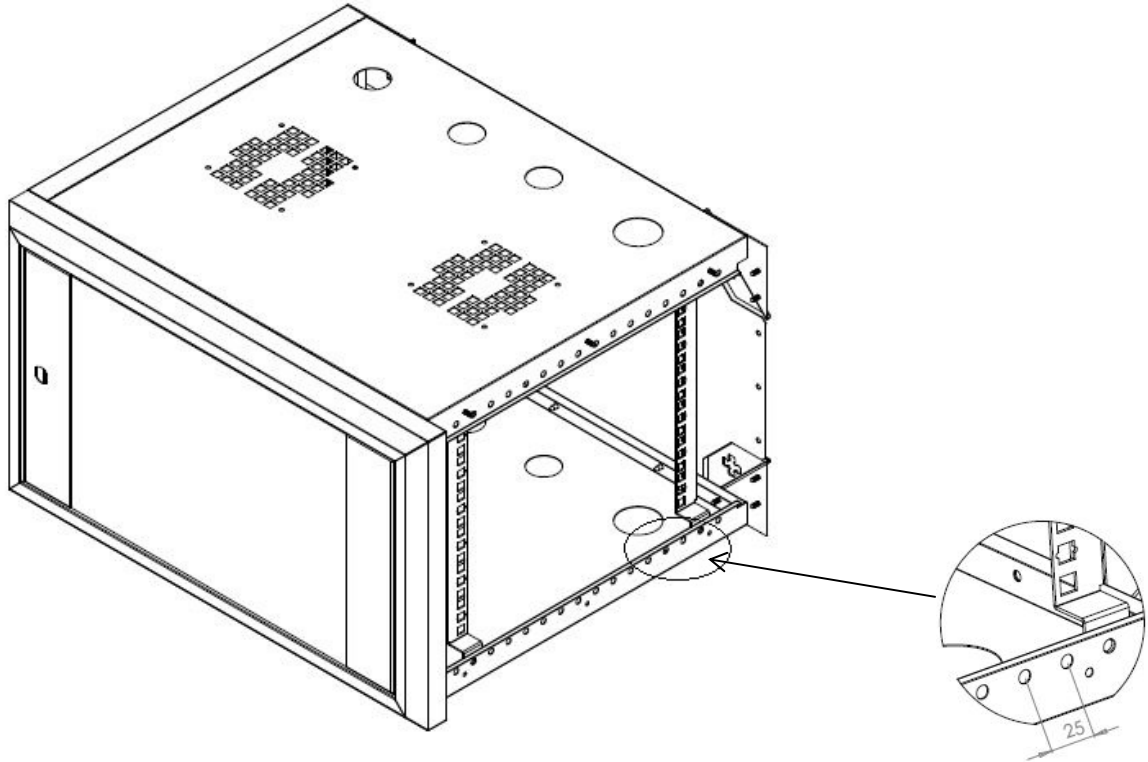
The whole cabinet is mounted on the wall with the support of 4 wall mounting brackets, 2 on left hand side and 2 on right hand side.

The front door is made up of 2 trims with the 4mm thick toughened glass fixed with adhesive at the centre of both the trims.

The side panels are screwed on to the frame.

1. General Characteristics(Continued)

1.1 Presentation(Continued)



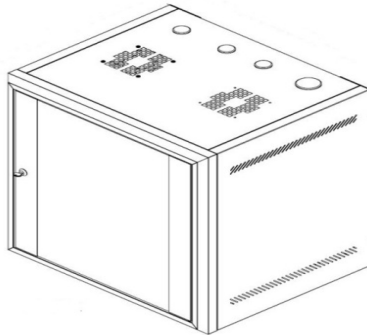
The depth of the 19" recess can be adjusted in 25mm steps .

1.2 Standards

Wall Mount cabinets comply with following standards:

STANDARDS	
IEC 60529 EN 60529	(NF C 20-010) Degrees of protection provided by enclosures (IP code)
IEC 62262 EN 62262	(NF EN 50102, NF C 20-015) Degrees of protection provided by enclosures for electrical equipment against external mechanical impacts (IK code)

2. Range



Range of Wall mount are Defined by the capacity, Width and Depth.

2.i. Assembled

All dimensions in mm

Sr No	Item Code	Description	Capacity(H)	Width(W)	Depth(D)
1	465392	PROW INT PT 6U64 A	06 U	600	400
2	465393	PROW INT BT 6U64 A			
3	465394	PROW INT PT 6U645 A	06 U	600	450
4	465395	PROW INT BT 6U645 A			
5	465396	PROW INT PT 6U65 A	06 U	600	500
6	465397	PROW INT BT 6U65 A			
7	465398	PROW INT PT 6U66 A	06 U	600	600
8	465399	PROW INT BT 6U66 A			
9	465400	PROW INT PT 9U64 A	09 U	600	400
10	465401	PROW INT BT 9U64 A			
11	465402	PROW INT PT 9U645 A	09 U	600	450
12	465403	PROW INT BT 9U645 A			
13	465404	PROW INT PT 9U65 A	09 U	600	500
14	465405	PROW INT BT 9U65 A			
15	465406	PROW INT PT 9U66 A	09 U	600	600
16	465407	PROW INT BT 9U66 A			
17	465408	PROW INT PT 12U64 A	12 U	600	400
18	465409	PROW INT BT 12U64 A			
19	465410	PROW INT PT 12U645 A	12 U	600	450
20	465411	PROW INT BT 12U645 A			
21	465412	PROW INT PT 12U65 A	12 U	600	500
22	465413	PROW INT BT 12U65 A			
23	465414	PROW INT PT 12U66 A	12 U	600	600
24	465415	PROW INT BT 12U66 A			
25	465416	PROW INT PT 15U64 A	15 U	600	400
26	465417	PROW INT BT 15U64 A			
27	465418	PROW INT PT 15U645 A	15 U	600	450
28	465419	PROW INT BT 15U645 A			
29	465420	PROW INT PT 15U65 A	15 U	600	500
30	465421	PROW INT BT 15U65 A			
31	465422	PROW INT PT 15U66 A	15 U	600	600
32	465423	PROW INT BT 15U66 A			

2. Range(Continued)

2.ii. SKD

All dimensions in mm

Sr No	Item Code	Description	Capacity(H)	Width(W)	Depth(D)
1	464040	PROW INT PT 6U64 S	06 U	600	400
2	464041	PROW INT BT 6U64 S			
3	464042	PROW INT PT 6U64S S	06 U	600	450
4	464043	PROW INT BT 6U64S S			
5	464044	PROW INT PT 6U65 S	06 U	600	500
6	464045	PROW INT BT 6U65 S			
7	464046	PROW INT PT 6U66 S	06 U	600	600
8	464047	PROW INT BT 6U66 S			
9	464048	PROW INT PT 9U64 S	09 U	600	400
10	464049	PROW INT BT 9U64 S			
11	464050	PROW INT PT 9U64S S	09 U	600	450
12	464051	PROW INT BT 9U64S S			
13	464052	PROW INT PT 9U65 S	09 U	600	500
14	464053	PROW INT BT 9U65 S			
15	464054	PROW INT PT 9U66 S	09 U	600	600
16	464055	PROW INT BT 9U66 S			
17	464056	PROW INT PT 12U64 S	12 U	600	400
18	464057	PROW INT BT 12U64 S			
19	464058	PROW INT PT 12U64S S	12 U	600	450
20	464059	PROW INT BT 12U64S S			
21	464060	PROW INT PT 12U65 S	12 U	600	500
22	464061	PROW INT BT 12U65 S			
23	464062	PROW INT PT 12U66 S	12 U	600	600
24	464063	PROW INT BT 12U66 S			
25	464064	PROW INT PT 15U64 S	15 U	600	400
26	464065	PROW INT BT 15U64 S			
27	464066	PROW INT PT 15U64S S	15 U	600	450
28	464067	PROW INT BT 15U64S S			
29	464068	PROW INT PT 15U65 S	15 U	600	500
30	464069	PROW INT BT 15U65 S			
31	464070	PROW INT PT 15U66 S	15 U	600	600
32	464071	PROW INT BT 15U66 S			

3. Technical Characteristics

3.1 Index of Protection

- IP 20 according to IEC 60529
- Protected against solid objects larger than 12.5mm in diameter.
- IK08 according to IEC EN 62262
- Protected against mechanical impact with an energy of 5 Joules.

3.2 Design

- Top Cover made up of CRCA sheet +powder coated.
- Bottom cover made up of CRCA sheet +powder coated.
- Side Panels made up of CRCA sheet +powder coated.
- Frame made up of CRCA sheet +powder coated.
- Recess angle made up of CRCA sheet +powder coated.
- Door trims made up of CRCA sheet +powder coated.

3.3 Corrosion Resistance

- Salt spray test according to ISO 9227 (NSS test) and IEC EN 60068-2-11 (Ka test) for 168 hours: degree of Rusting Ri1 according to ISO 4628-3, propagation ≤ 1 mm according to ISO 4628-8.

3.4 Properties of the powder coating

Epoxy polyester paint applied by electrostatic dusting. Racks comes in two range of colors.

Range 1

- Frame Structure and door trim- RAL 7037 Dusky fine texture
- Top Cover - RAL 7035 Pastel fine texture
- Bottom Cover- RAL 7035 Pastel fine texture

Range 2

- All components- RAL 9005 in black fine texture(customized)

They have following properties:

- Textured satin appearance.
- 60-80 micron thickness.
- Excellent impact and scratch resistance.
- Excellent resistance to cleaning agents(excluding strong chlorinated, fluorinated and ketone solvents)
- Some products may change the appearance. It is therefore advisable to carry out a test first.

3.5 Electrical Continuity of the conductive parts

- Copper plated earthing stud welded onto the Front Door and the main body.
- All the electrical components are connected to the copper earthing strips.

3.6 UL Certification

- This is a UL approved product as per UL 2416.

3. Technical Characteristics

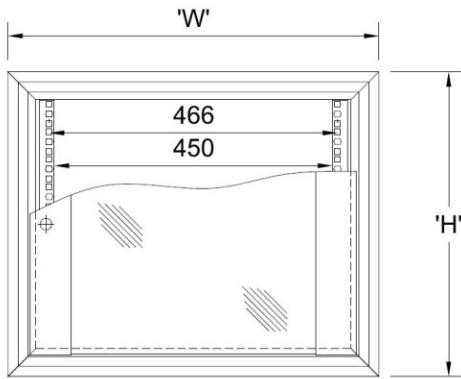
3.6 Weight

Net weight excluding packaging

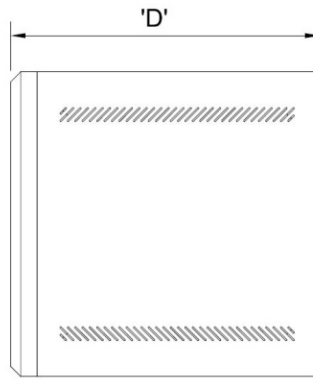
Sr No	Item Code	Description	Weight(Kg)
1	465392/464040	PROW INT PT 6U64 A/PROW INT PT 6U64 S	7.5
2	465393/464041	PROW INT BT 6U64 A/PROW INT BT 6U64 S	
3	465394/464042	PROW INT PT 6U645 A/PROW INT PT 6U645 S	8
4	465395/464043	PROW INT BT 6U645 A/PROW INT BT 6U645 S	
5	465396/464044	PROW INT PT 6U65 A/PROW INT PT 6U65 S	8.75
6	465397/464045	PROW INT BT 6U65 A/PROW INT BT 6U65 S	
7	465398/464046	PROW INT PT 6U66 A/PROW INT PT 6U66 S	9.5
8	465399/464047	PROW INT BT 6U66 A/PROW INT BT 6U66 S	
9	465400/464048	PROW INT PT 9U64 A/PROW INT PT 9U64 S	9
10	465401/464049	PROW INT BT 9U64 A/PROW INT BT 9U64 S	
11	465402/464050	PROW INT PT 9U645 A/PROW INT PT 9U645 S	9.5
12	465403/464051	PROW INT BT 9U645 A/PROW INT BT 9U645 S	
13	465404/464052	PROW INT PT 9U65 A/PROW INT PT 9U65 S	10
14	465405/464053	PROW INT BT 9U65 A/PROW INT BT 9U65 S	
15	465406/464054	PROW INT PT 9U66 A/PROW INT PT 9U66 S	11.5
16	465407/464055	PROW INT BT 9U66 A/PROW INT BT 9U66 S	
17	465408/464056	PROW INT PT 12U64 A/PROW INT PT 12U64 S	10
18	465409/464057	PROW INT BT 12U64 A/PROW INT BT 12U64 S	
19	465410/464058	PROW INT PT 12U645 A/PROW INT PT 12U645 S	11
20	465411/464059	PROW INT BT 12U645 A/PROW INT BT 12U645 S	
21	465412/464060	PROW INT PT 12U65 A/PROW INT PT 12U65 S	11.5
22	465413/464061	PROW INT BT 12U65 A/PROW INT BT 12U65 S	
23	465414/464062	PROW INT PT 12U66 A/PROW INT PT 12U66 S	13
24	465415/464063	PROW INT BT 12U66 A/PROW INT BT 12U66 S	
25	465416/464064	PROW INT PT 15U64 A/PROW INT PT 15U64 S	11.5
26	465417/464065	PROW INT BT 15U64 A/PROW INT BT 15U64 S	
27	465418/464066	PROW INT PT 15U645 A/PROW INT PT 15U645 S	12
28	465419/464067	PROW INT BT 15U645 A/PROW INT BT 15U645 S	
29	465420/464068	PROW INT PT 15U65 A/PROW INT PT 15U65 S	13
30	465421/464069	PROW INT BT 15U65 A/PROW INT BT 15U65 S	
31	465422/464070	PROW INT PT 15U66 A/PROW INT PT 15U66 S	14.5
32	465423/464071	PROW INT BT 15U66 A/PROW INT BT 15U66 S	

4. Dimensions

4.1 Overall Dimensions

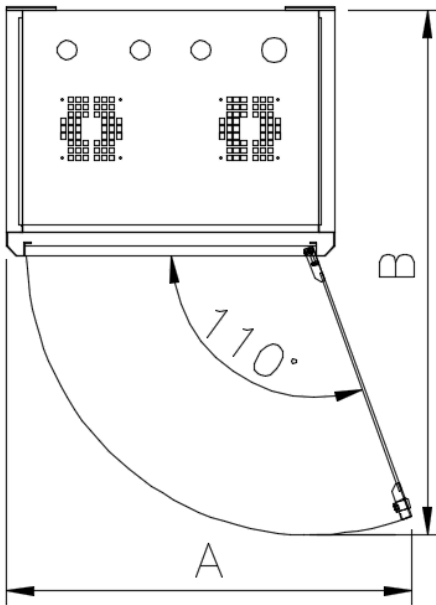


Front View



Side View

All dimensions in mm

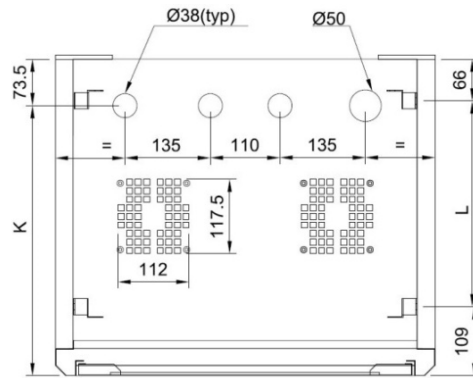


Top View

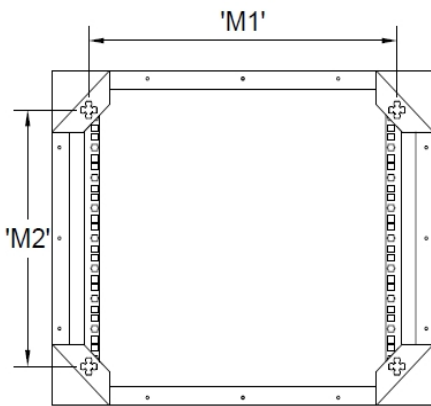
Overall Dimensions					
Rack Size	H	W	D	A	B
6U-600x400	358	600	400	740	912
6U-600x450	358	600	450	740	962
6U-600x500	358	600	500	740	1012
6U-600x600	358	600	600	740	1112
9U-600x400	492	600	400	740	912
9U-600x450	492	600	450	740	962
9U-600x500	492	600	500	740	1012
9U-600x600	492	600	600	740	1112
12U-600x400	625	600	400	740	912
12U-600x450	625	600	450	740	962
12U-600x500	625	600	500	740	1012
12U-600x600	625	600	600	740	1112
15U-600x400	759	600	400	740	912
15U-600x450	759	600	450	740	962
15U-600x500	759	600	500	740	1012
15U-600x600	759	600	600	740	1112

4. Dimensions(Continued)

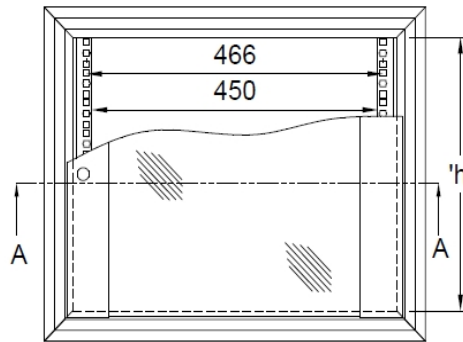
4.2 Usable Dimensions



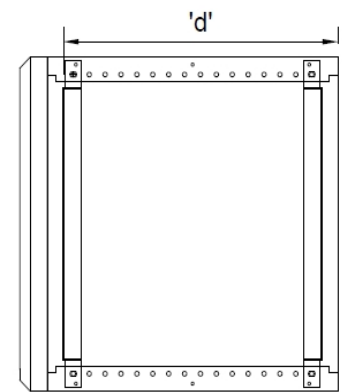
Section A-A



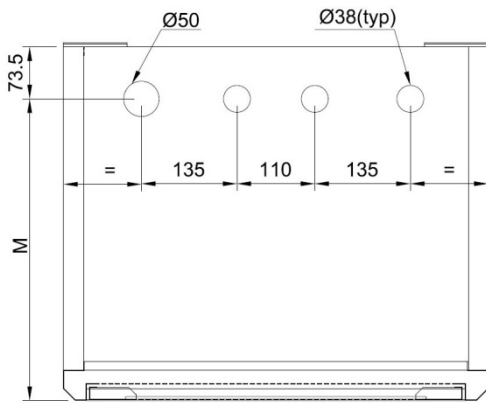
Rear View



Front View



Side View



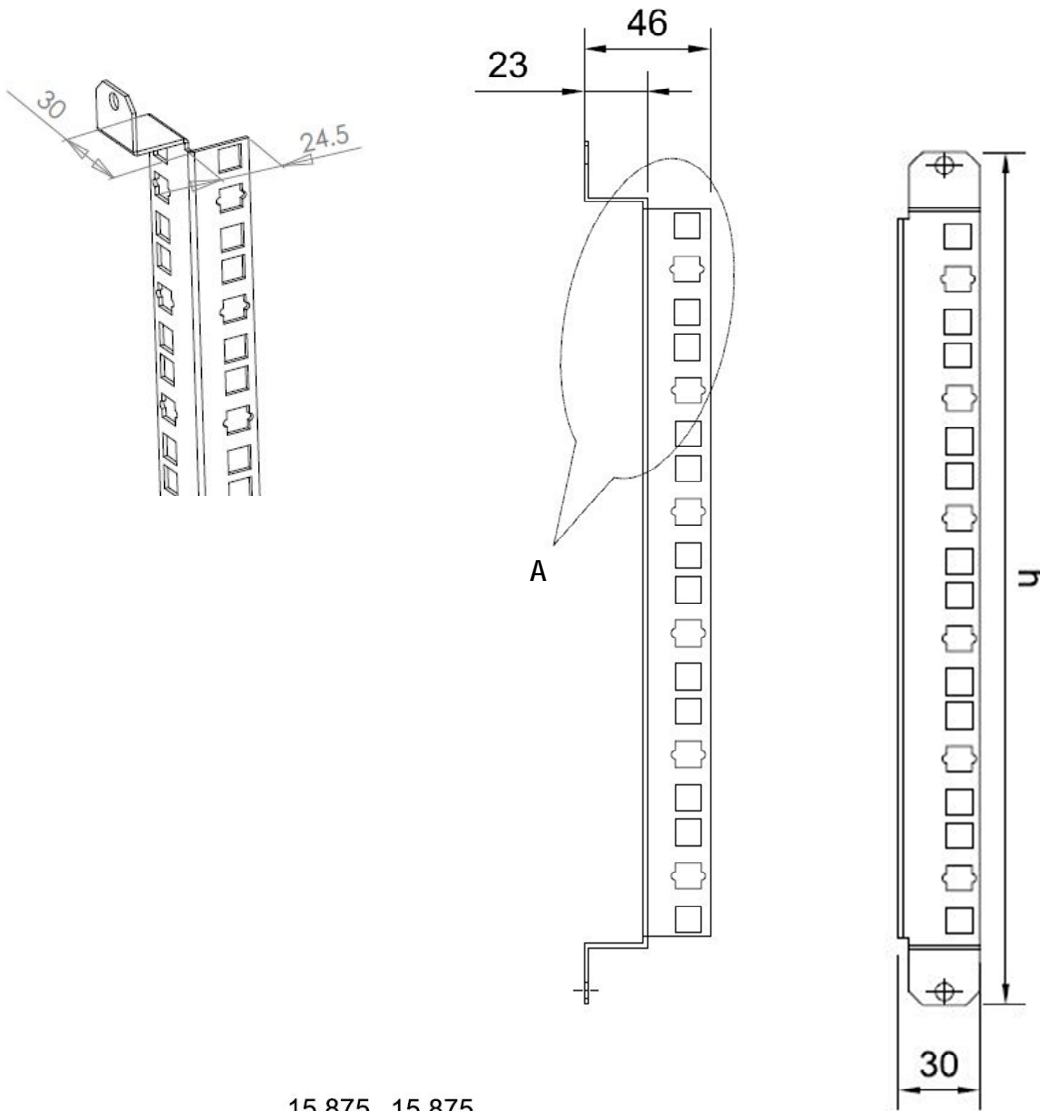
Bottom View

All dimensions in mm

Usable Dimensions							
Rack Size	h	d	M1	M2	L	K	M
6U-600x400	267	333	488	246	225	326	326
6U-600x450	267	383	488	246	275	376	376
6U-600x500	267	433	488	246	325	426	426
6U-600x600	267	533	488	246	425	526	526
9U-600x400	400	333	488	380	225	326	326
9U-600x450	400	383	488	380	275	376	376
9U-600x500	400	433	488	380	325	426	426
9U-600x600	400	533	488	380	425	526	526
12U-600x400	533	333	488	513	225	326	326
12U-600x450	533	383	488	513	275	376	376
12U-600x500	533	433	488	513	325	426	426
12U-600x600	533	533	488	513	425	526	526
15U-600x400	667	333	488	647	225	646	326
15U-600x450	667	383	488	647	275	646	376
15U-600x500	667	433	488	647	325	646	426
15U-600x600	667	533	488	647	425	646	526

4. Dimensions(Continued)

4.2 Usable Dimensions(Continued)

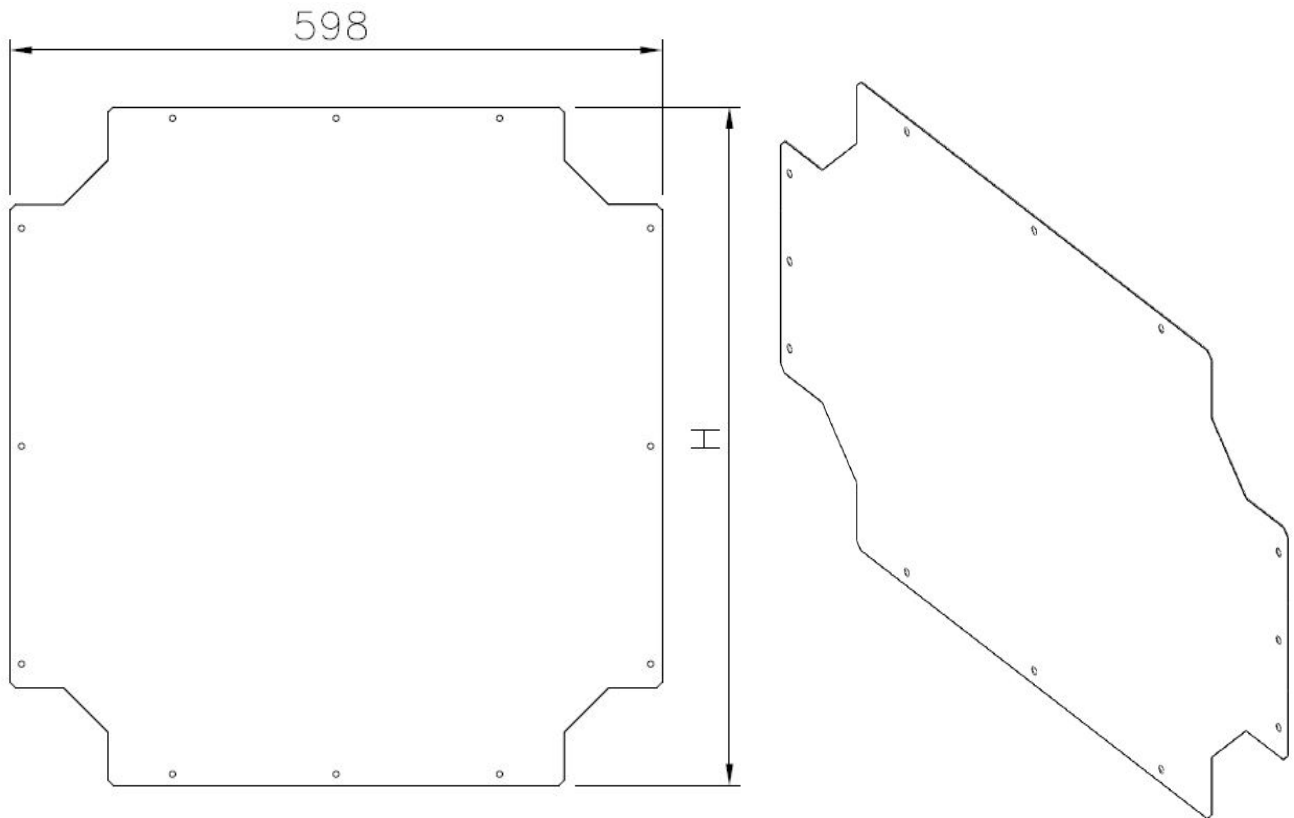


Detail A

Height Chart	
Capacity	Height(h)mm
6U	316
9U	445
12U	583
15U	716

5. Rear Cover

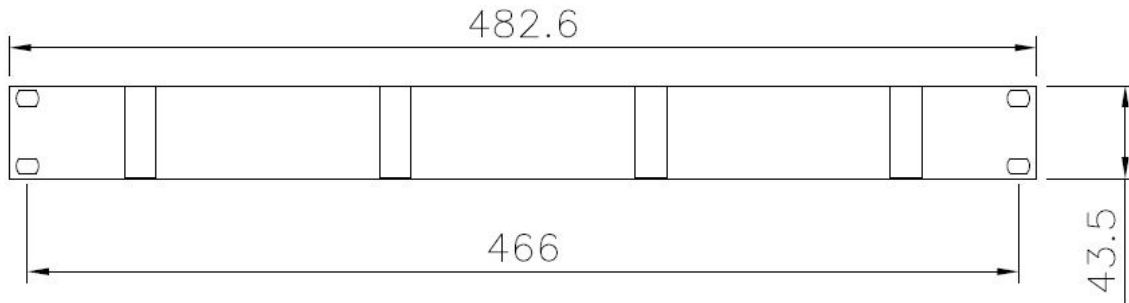
- The 19" ProTek Wall Mount can be equipped with rear cover for sealing of the rack at the rear side.
- The Rear cover is made up of CRCA sheet + powder coated



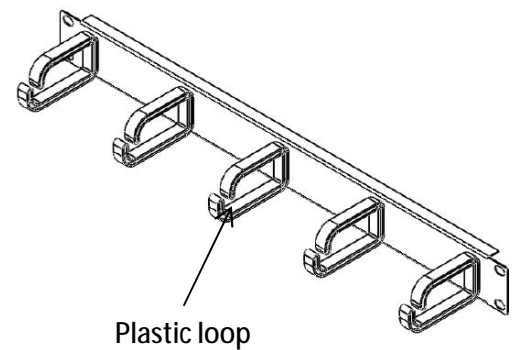
Height Chart	
Capacity	Height(H)mm
6U	356
9U	490
12U	623
15U	756

6. Cable Manager

The 19" ProTek Wall mount racks can be equipped with Cable managers as shown in the Figure

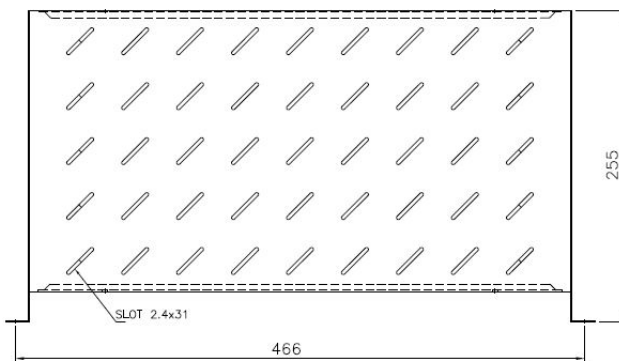


Cable Manager(Plastic loop mountable)	
Item Code	Description
465489	CABLE MNG PLOOP BT 1U A
465490	CABLE MNG PLOOP PT 1U A



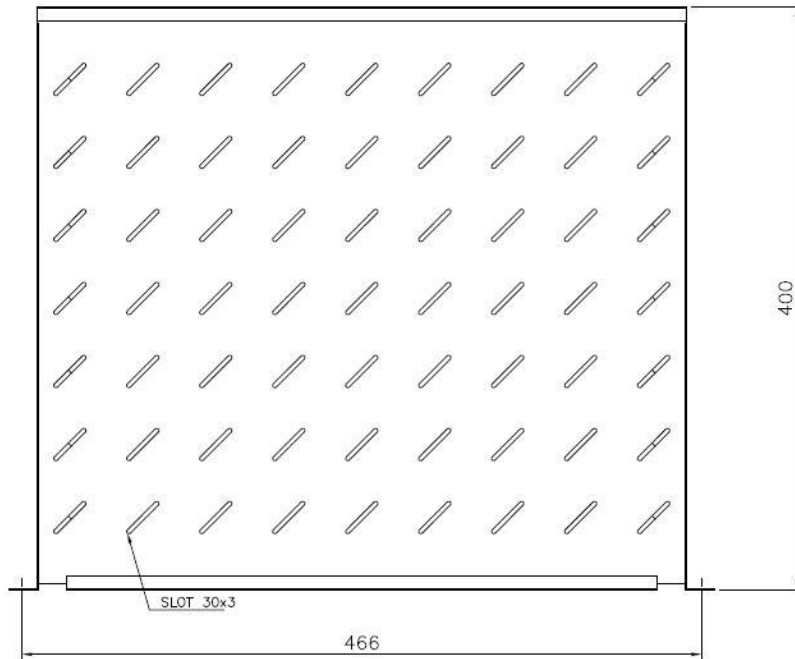
The Fig shows the dimensions of cable manager which is of 1U size and Made up of CRCA + powder coated

7. Cantilever Tray



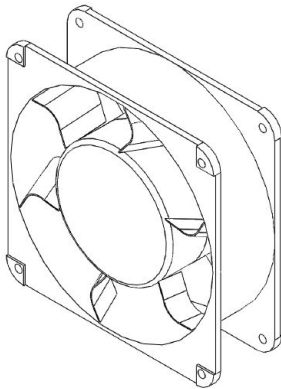
Cantilever tray	
Item Code	Description
465485	CANT TRAY PT 1U255 A
465486	CANT TRAY BT 1U255 A
465487	CANT TRAY PT 2U400 A
465488	CANT TRAY BT 2U400 A

7. Cantilever Tray(continued)



- The 19" ProTek Wall Mount racks can be equipped with cantilever trays.
- The ProTek Wall Mount racks consist of two sizes of cantilever trays as shown.
- It consists of slots as shown in the figures for ventilation.
- They are only capable of carrying lightweight components.
- They are made up of CRCA sheet + powder coated.

8. Cooling Fan

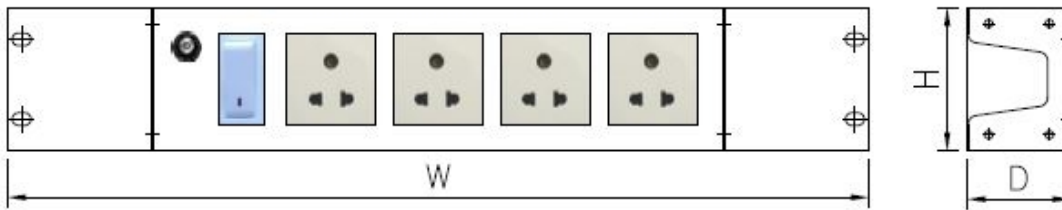


Fan	
Item Code	Description
465481	SINGLE FAN FOR WALLMOUNT
465482	DOUBLE FAN FOR WALLMOUNT

- The 19" ProTek Wall Mount racks can be equipped with cooling arrangement within the space cavity used by the top cover.
- It can be equipped with thermostat control for controlling the temperature of the enclosure interior for forced ventilation (each fan has a 90cfm capacity) without using any of the equipment installation space.

9. Power Distribution Unit

- The 19" ProTek Wall Mount racks can be equipped with PDU of variable varieties.
- The parameters for selecting the PDU are overall dimension, electrical rating, number of sockets required and the other accessories which are required .viz. Plug and Cable.
- The range of Electrical Ratings for the Power Distribution Unit are as follows:
 - Rated Voltage – 220 to 240 VAC, 50 Hz
 - Full Load Current - 6 to 16Amp
 - Full Load Power – 1.2 Kva to 3 Kva
 - Powder coated Black RAL 9005(customized)



All dimensions in mm

PDU Type	Item Code	Description	Overall Dimensions		
			W	H	D
1	465568	PDU 6A 4SKT SWT PLG A	482	80	58
2	465569	PDU 6A 6SKT SWT PLG A			
3	465570	PDU 13A 6SKT MCB PLG A			
4	465571	PDU 16A 6SKT MCB PLG A			

